

MAKE: JEEP

TYPE: WRANGLER



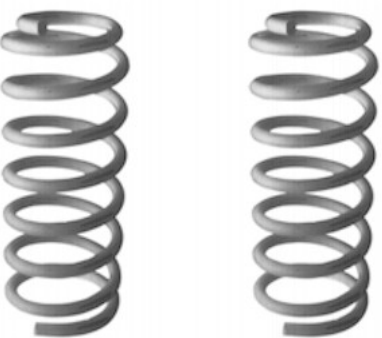
MODEL: JK



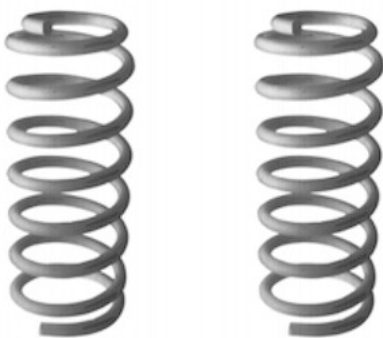

YEAR: 2007 ON

DETAIL: 2 and 4 Door



JEEP-58

 <b>FRONT</b> 		<b>TYPE</b>	<b>QTY</b>	<b>PART NUMBER</b>
<b>COIL SPRING</b> Type 'C' 			1	<b>C29-074</b> (Pair)
Linear Rate Raised Height (60mm Lift)				
<hr/> <b>SHOCK ABSORBER</b> 				
Type 'A' 'B' 'C'				
Heavy Duty Complete with Fittings		B	2	<b>GS29-728</b>

 <b>REAR</b> 		<b>TYPE</b>	<b>QTY</b>	<b>PART NUMBER</b>
<b>COIL SPRING</b> Type 'C' 				
Suits: 2 Door Linear Rate Raised Height (Lift 60mm)			1	<b>C29-073</b> (Pair)
Suits: 4 Door Linear Rate Raised Height (60mm Lift)			1	<b>C29-075</b> (Pair)
<hr/> <b>SHOCK ABSORBER</b> 				
Type 'A' 'B' 'C'				
Heavy Duty Gas		A	2	<b>GS29-729</b>