

MAKE: TOYOTA **TYPE:** Hilux
MODEL: LN/RN 36/46, **YEAR:** 1979 – 1988
 LN/YN 65/67, SR5 Models
DETAIL: Leaf Spring Suspension



TOY-56

FRONT		TYPE	QTY	PART NUMBER
<p>LEAF SPRING Type 'A'</p>				
Single Cab	Petrol – No Accessories 5 Leaves Raised Height (50mm Lift)	A	1	HIL-001-F RH
		A	1	HIL-001-F LH
Single Cab	Petrol With Bullbar or Winch Diesel – No Accessories 5 Leaves Raised Height (50mm Lift)	A	1	HIL-002-F RH
		A	1	HIL-002-F LH
Dual Cab	Diesel With Bullbar or Winch (50mm Lift)	A	1	HIL-003-F RH
	Petrol & Diesel 5 Leaves Raised Height (45mm Lift)	A	1	HIL-003-F LH
<p>SHACKLE BUSH KIT Rubber Polyurethane Metal</p> <p>Kit Contains: 8 x SPF2231 4 x SPF2240</p>				
		B	1	PB59-1032K
<p>U-BOLT KIT</p> <p>Kit Contains: 2 x UB59-667</p>				
		B	2	UB59-667K
<p>SHOCK ABSORBER</p> <p>Kit Contains: 1 x UB59-437 1 x UB59-449-3</p>				
Right Hand Side		B	1	UB59-449-3K
Left Hand Side		B	1	UB59-667K
<p>SHOCK ABSORBER</p> <p>Heavy Duty Gas</p>				
		B	2	GS59-639
<p>STEERING DAMPER Type 'A'</p> <p>Heavy Duty Complete With Fittings (Big Body)</p>				
		A	1	SD59-821
<p>SHACKLE KIT</p> <p>Greasable: Fit in Pairs</p>				
		C	2	SK59-001
<p>PIN KIT</p> <p>Greasable: Fit in Pairs</p>				
		A	2	SP59-005

REAR		TYPE	QTY	PART NUMBER
<p>LEAF SPRING Type 'B'</p>				
	4 + 2 Leaves (Medium Duty) Raised Height (50mm Lift) 50Kg to GVM Fit in Pairs	B	1	HIL-4+2-R RH
		B	1	HIL-4+2-R LH
	5 + 2 Leaves (Heavy Duty) Raised Height (50mm Lift) 200Kg to GVM Fit in Pairs	B	1	HIL-5+2-R RH
		B	1	HIL-5+2-R LH
<p>SHACKLE BUSH KIT Rubber Polyurethane Metal</p> <p>Kit Contains: 12 x SPF2231</p>				
		B	1	PB59-1033K
<p>U-BOLT KIT</p> <p>Kit Contains: 2 x UB59-667</p>				
		B	2	UB59-667K
<p>SHOCK ABSORBER</p> <p>Pre 07/1983 Heavy Duty Gas</p>				
		A	2	GS59-636
	Polyurethane Replacement Bush Upper & Lower (16mm ID)		4	PB59-933
	07/1983 on Heavy Duty Gas	A	2	GS59-650
	Polyurethane Replacement Bush Upper & Lower (19mm ID)		4	PB59-932
<p>SHACKLE KIT</p> <p>Greasable: Fit in Pairs</p>				
		A	2	SK59-009
<p>PIN KIT</p> <p>Greasable: Fit in Pairs</p>				
		A	2	SP59-005

MAKE: TOYOTA

TYPE: Hilux

MODEL: LN/RN 105,
LN/YN 106

YEAR: 1988 – 11/1997

DETAIL: Leaf Spring Suspension



TOY-61

FRONT		TYPE	QTY	PART NUMBER
<p>LEAF SPRING Type 'A'</p> <p>Single Cab Petrol – No Accessories 5 Leaves Raised Height (50mm Lift)</p> <p>Petrol With Bullbar or Winch Diesel – No Accessories 5 Leaves Raised Height (50mm Lift)</p> <p>Single Cab Diesel With Bullbar or Winch (50mm Lift)</p> <p>Dual Cab Petrol & Diesel 5 Leaves Raised Height (45mm Lift)</p>		A	1	HIL-001-F RH
		A	1	HIL-001-F LH
		A	1	HIL-002-F RH
		A	1	HIL-002-F LH
		A	1	HIL-003-F RH
		A	1	HIL-003-F LH
<p>SHACKLE BUSH KIT</p> <p>Rubber Polyurethane Metal</p> <p>Kit Contains: 8 x SPF2231 4 x SPF2240</p>		B	1	PB59-1032K
<p>U-BOLT KIT</p> <p>Kit Contains:</p> <p>Right Hand Side 1 x UB59-437 1 x UB59-449-3</p> <p>Left Hand Side 2 x UB59-667</p>		B	1	UB59-449-3K
		C	1	UB59-667K
<p>SHOCK ABSORBER</p> <p>Heavy Duty Gas</p>		B	2	GS59-639
<p>STEERING DAMPER</p> <p>Heavy Duty Complete With Fittings (Big Body)</p>		A	1	SD59-821
<p>SHACKLE KIT</p> <p>Greasable: Fit in Pairs</p>		C	2	SK59-001
<p>PIN KIT</p> <p>Greasable: Fit in Pairs</p>		A	2	SP59-005

REAR		TYPE	QTY	PART NUMBER
<p>LEAF SPRING Type 'B'</p> <p>4 + 3 Leaves Medium Duty Raised Height (50mm Lift) 50Kg to GVM Fit in Pairs</p> <p>5 + 3 Leaves Heavy Duty Raised Height (50mm Lift) 200Kg to GVM Fit in Pairs</p>		B	2	106-4+3-R
		B	2	106-5+3-R
<p>SHACKLE BUSH KIT</p> <p>Rubber Polyurethane Metal</p> <p>Kit Contains: 12 x SPF2231</p>		B	1	PB59-1033K
<p>U-BOLT KIT</p> <p>Kit Contains: 2 x UB59-453-2</p>		B	2	UB59-453-2K
<p>SHOCK ABSORBER</p> <p>Heavy Duty Gas</p> <p>Polyurethane Replacement Bush Upper & Lower (19mm ID)</p>		A	2	GS59-650
			4	PB59-932
<p>SHACKLE KIT</p> <p>Greasable: Fit in Pairs</p>		A	2	SK59-009
<p>PIN KIT</p> <p>Greasable: Fit in Pairs</p>		A	2	SP59-005

MAKE: TOYOTA **TYPE:** Hilux

MODEL: LN/RN 165/166/167, **YEAR:** 10/1997 on
LN170 (2.4L TD), LN172 (3.0L D), RZN169

DETAIL: Single / Dual / Extra Cab
Independent Front Suspension TOY-73



FRONT	TYPE	QTY	PART NUMBER
<p>TORSION BAR</p> <p>Type 'D'</p> <p>Linear Rate - Heavy Duty Rate Increased Length 1064mm</p>	D	2	TB59-1646 (Pair)
<p>SHOCK ABSORBER</p> <p>Type 'A' 'B' 'C'</p> <p>Heavy Duty Gas</p>	B	2	GS59-088
<p>STEERING DAMPER</p> <p>Type 'A'</p> <p>Heavy Duty (Big Body) Complete with Fittings</p>	A	1	SD59-833

REAR	TYPE	QTY	PART NUMBER
<p>LEAF SPRING</p> <p>Type 'B'</p> <p>3 + 2 Leaves Medium Duty Raised Height (50mm Lift) 50Kg to GVM</p>	B	2	HIL-034-R
<p>4 + 2 Leaves Heavy Duty Raised Height (50mm Lift) 200Kg to GVM</p>	B	2	HIL-035-R
<p>SHACKLE BUSH KIT</p> <p>Rubber Polyurethane Metal</p> <p>Type 'A' 'B' 'C'</p> <p>Kit Contains: 2 x SPF972 4 x SPF2231 4 x SPF2231A</p>	B	1	PB59-1084K
<p>U-BOLT KIT</p> <p>Type 'A' 'B' 'C'</p> <p>Kit Contains: 2 x UB59-453-2</p>	B	2	UB59-453-2K
<p>SHOCK ABSORBER</p> <p>Type 'A' 'B' 'C'</p> <p>Heavy Duty Gas</p>	A	2	GS59-650
<p>Polyurethane Replacement Bush Upper & Lower (19mm ID)</p>		4	PB59-932
<p>SHACKLE KIT</p> <p>Type 'A' 'B' 'C' 'D'</p> <p>Greasable: Fit in Pairs</p>	C	2	SK59-010

MAKE: TOYOTA TYPE: Hilux DETAIL: Independent Front Suspension	TOY-62	TOY-70
	MODEL: LN/RN/YN 110, LN111 SR5 YEAR: 1988 – 1997 Extra Cab	MODEL: LN107 SR5, LN108, RN106 YEAR: 09/1991 on Single / Dual Cab

FRONT	TYPE	QTY	PART NUMBER
<p>TORSION BAR Type 'D'</p> <p>Linear Rate - Heavy Duty Rate Increased Length 1064mm</p>	D	2	TB59-1646 (Pair)
<p>SHOCK ABSORBER Type 'A' 'B' 'C'</p> <p>Heavy Duty Gas</p>	B	2	GS59-088
<p>STEERING DAMPER Type 'A'</p> <p>Heavy Duty (Big Body) Complete with Fittings</p>	A	1	SD59-833

REAR	TYPE	QTY	PART NUMBER
<p>LEAF SPRING Type 'B'</p> <p>3 + 2 Leaves Medium Duty Raised Height (45mm Lift) 50Kg to GVM</p>	B	2	HIL-034-R
<p>4 + 2 Leaves Heavy Duty Raised Height (45mm Lift) 200Kg to GVM</p>	B	2	HIL-035-R
<p>SHACKLE BUSH KIT Rubber Polyurethane Metal</p> <p>Kit Contains: 2 x SPF972 4 x SPF2231 4 x SPF2231A</p>	B	1	PB59-1084K
<p>U-BOLT KIT Type 'A' 'B' 'C'</p> <p>Kit Contains: 2 x UB59-453-2</p>	B	2	UB59-453-2K
<p>SHOCK ABSORBER Type 'A' 'B' 'C'</p> <p>Heavy Duty Gas</p>	A	2	GS59-650
<p>Polyurethane Replacement Bush Upper & Lower (19mm ID)</p>		4	PB59-932
<p>SHACKLE KIT Type 'A' 'B' 'C' 'D'</p> <p>Greasable: Fit in Pairs</p>	C	2	SK59-010

MAKE: TOYOTA **TYPE:** Hilux, Vigo (1500 Series)

MODEL: KUN/GGN 25/26 **YEAR:** 2005 on

DETAIL: 4x4 Single / Extra / Dual Cab

TOY-84

FRONT		TYPE	QTY	PART NUMBER
<p>COIL SPRING Type 'C'</p>				
<p>** NOTE: Vehicles fitted with this Spring Part Number, MUST be fitted With GS59-220 shock absorber</p>				
<p>Single Cab (4.0L V6 Petrol) Single Cab (KUN26 3.0L T/Diesel)</p>				
Linear Rate Standard Height	2			C59-134 (Pair)
Linear Rate Raised Height (40mm Lift)	2			C59-296 (Pair)
Linear Rate Raised Height (** 50mm Lift)	2			C59-300 (Pair)
Linear Rate Raised Height (** 50mm Lift) 50-100kg Accessories	2			C59-302 (Pair)
<p>Extra Cab (GGN25 4.0L Petrol) Extra Cab (3.0L T/Diesel) Dual Cab (GGN25 V6 4.0L Petrol) Dual Cab (KUN26 3.0L T/Diesel)</p>				
Linear Rate Standard Height	2			C59-134 (Pair)
Linear Rate Raised Height (35mm Lift)	2			C59-300 (Pair)
Linear Rate Raised Height (** 50mm Lift)	2			C59-302 (Pair)
Linear Rate Raised Height (** 40mm Lift) 50-100kg Accessories	2			C59-302 (Pair)
<p>SHOCK ABSORBER</p> <p>Type 'A' 'B' 'C'</p>				
Heavy Duty Gas	B	2		GS59-220

REAR		TYPE	QTY	PART NUMBER
<p>LEAF SPRING Type 'B'</p>				
3 + 3 Leaves Medium Duty Raised Height (50mm Lift)	B	2		L59-040-R
4 + 3 Leaves Heavy Duty Raised Height (50mm Lift) 280kg to GVM	B	2		L59-041-R
5 + 3 Leaves Super Heavy Duty Raised Height (50mm Lift) 450kg to GVM	B	2		L59-042-R
<p>NOTE: Using L59-040-R, the longer leaf On the 2nd stage may be turned Upside down to give a softer ride</p>				
<p>SHACKLE BUSH KIT</p> <p>Rubber Polyurethane Metal</p>				
<p>Kit Contains: 4 x PB59-1501 4 x PB59-1502 2 x PB59-1503</p>		B	1	PB59-1094K
<p>U-BOLT KIT</p> <p>Type 'A' 'B' 'C'</p>				
<p>Kit Contains: L59-040-R 2 x UB59-453-2 L59-041-R 2 x UB59-453-2 L59-042-R 2 x UB59-437</p>		B	2	UB59-453-2K
	B	2		UB59-453-2K
	B	2		UB59-437K
<p>SHOCK ABSORBER</p> <p>Type 'A' 'B' 'C'</p>				
Heavy Duty Gas	A	2		GS59-650
<p>Polyurethane Replacement Bush Upper & Lower (19mm ID)</p>			4	PB59-932
<p>SHACKLE KIT</p> <p>Type 'A' 'B' 'C' 'D'</p>				
<p>Greasable: Fit in Pairs</p>		C	2	SK59-053

MAKE: TOYOTA **TYPE:** 4 Runner

MODEL: LN60, RN60, YN60 **YEAR:** Pre 08/1985

DETAIL: Leaf Spring Suspension



TOY-59

FRONT		TYPE	QTY	PART NUMBER
<p>LEAF SPRING Type 'A'</p> <p>Petrol – No Accessories 5 Leaves Raised Height (50mm Lift)</p> <p>Petrol – With Bullbar or Winch OR Diesel – No Accessories 5 Leaves Raised Height (50mm Lift)</p> <p>Diesel – With Bullbar or Winch 5 Leaves Raised Height (50mm Lift)</p>		A	1	HIL-001-F RH
		A	1	HIL-001-F LH
		A	1	HIL-002-F RH
		A	1	HIL-002-F LH
		A	1	HIL-003-F RH
		A	1	HIL-003-F LH
<p>SHACKLE BUSH KIT Rubber Polyurethane Metal</p> <p>Kit Contains: 8 x SPF2231 4 x SPF2240</p>		B	1	PB59-1032K
<p>U-BOLT KIT</p> <p>Kit Contains:</p> <p>Right Hand Side 1 x UB59-437 1 x UB59-449-3</p> <p>Left Hand Side 2 x UB59-667</p>		B	1	UB59-449-3K
		C	1	UB59-667K
<p>SHOCK ABSORBER</p> <p>Heavy Duty Gas</p>		B	2	GS59-639
<p>STEERING DAMPER</p> <p>Type 'A'</p> <p>Heavy Duty (Big Body) Complete with Fittings</p>		A	1	SD59-821
<p>SHACKLE KIT</p> <p>Greasable: Fit in Pairs</p>		C	2	SK59-001
<p>PIN KIT</p> <p>Greasable: Fit in Pairs</p>		A	2	SP59-005

REAR		TYPE	QTY	PART NUMBER
<p>LEAF SPRING</p> <p>Type 'B'</p> <p>4 + 2 Leaves Raised Height (50mm Lift)</p>		B	1	TOY-470-R RH
		B	1	TOY-470-R LH
<p>SHACKLE BUSH KIT Rubber Polyurethane Metal</p> <p>Kit Contains: 12 x SPF2231</p>		B	1	PB59-1033K
<p>U-BOLT KIT</p> <p>Kit Contains: 2 x UB59-667</p>		B	2	UB59-667K
<p>SHOCK ABSORBER</p> <p>Heavy Duty Gas</p> <p>Polyurethane Replacement Bush Upper & Lower (19mm ID)</p>		A	2	GS59-650
			4	PB59-932
<p>SHACKLE KIT</p> <p>Greasable: Fit in Pairs</p>		A	2	SK59-009
<p>PIN KIT</p> <p>Greasable: Fit in Pairs</p>		A	2	SP59-005

MAKE: TOYOTA **TYPE:** 4 Runner
MODEL: LN61, YN63 **YEAR:** 08/1985 – 1989
DETAIL: Independent Front Suspension



TOY-60

FRONT	TYPE	QTY	PART NUMBER
<p>TORSION BAR</p> <p>Type 'D'</p> <p>Linear Rate - Heavy Duty Rate Increased Length 1064mm</p>	D	2	TB59-1646 (Pair)
<p>SHOCK ABSORBER</p> <p>Type 'A' 'B' 'C'</p> <p>Heavy Duty Gas</p>	B	2	GS59-088
<p>STEERING DAMPER</p> <p>Type 'A'</p> <p>Heavy Duty (Big Body) Complete with Fittings</p>	A	1	SD59-833

REAR	TYPE	QTY	PART NUMBER
<p>LEAF SPRING</p> <p>Type 'B'</p> <p>4 + 2 Leaves Raised Height (50mm Lift) Medium Load to GVM</p>	B	1	TOY-470-R RH
<p>SHACKLE BUSH KIT</p> <p>Rubber Polyurethane Metal</p> <p>Type 'A' 'B' 'C'</p> <p>Kit Contains: 12 x SPF2231</p>	B	1	PB59-1033K
<p>U-BOLT KIT</p> <p>Type 'A' 'B' 'C'</p> <p>Kit Contains: 2 x UB59-667</p>	B	2	UB59-667K
<p>SHOCK ABSORBER</p> <p>Type 'A' 'B' 'C'</p> <p>Heavy Duty Gas</p> <p>Polyurethane Replacement Bush Upper & Lower (19mm ID)</p>	A	2	GS59-650
<p>SHACKLE KIT</p> <p>Type 'A' 'B' 'C' 'D'</p> <p>Greasable: Fit in Pairs</p>	A	2	SK59-009
<p>PIN KIT</p> <p>Type 'A' 'B' 'C'</p> <p>Greasable: Fit in Pairs</p>	A	2	SP59-005

MAKE: TOYOTA **TYPE:** 4 Runner

MODEL: LN130, RN130, **YEAR:** 11/1989 – 1997
 YN130, VZN130 (V6)

DETAIL: Surf
 Independent Front Suspension TOY-63



FRONT		TYPE	QTY	PART NUMBER
<p>TORSION BAR Type 'D'</p> <p>Linear Rate - Heavy Duty Rate Increased Length 1064mm</p>		D	2	TB59-1646 (Pair)
<p>SHOCK ABSORBER Type 'A' 'B' 'C'</p> <p>Heavy Duty Gas</p>		B	2	GS59-088
<p>STEERING DAMPER Type 'A'</p> <p>Heavy Duty (Big Body) Complete with Fittings</p>		A	1	SD59-833

REAR		TYPE	QTY	PART NUMBER
<p>COIL SPRING Type 'C'</p> <p>Linear Rate Standard Height</p> <p>Linear Rate Raised Height (55mm Lift)</p> <p>Variable Rate Raised Height (50mm Lift)</p> <p>Linear Rate Extra Heavy Duty Raised Height (50mm Lift) 150Kg to GVM</p>			2	C59-163 (Pair)
			2	C59-161 (Pair)
			2	C59-159V (Pair)
			2	C59-165 (Pair)
<p>SHOCK ABSORBER Type 'A' 'B' 'C'</p> <p>OR Heavy Duty Gas Heavy Duty Gas (Big Bore)</p> <p>Polyurethane Replacement Bush Lower (19mm ID)</p>		B	2	GS59-223
		B	2	GS59-225
			2	PB59-932
<p>UNDER BODY BUSH KIT Polyurethane Bush</p> <p>NOTE: Kit Contains Rear Under Body Bushes</p> <p>2 x Rear Panhard Rod Bush 8 x Rear Trailing Arm Bush</p>			-	PB59-1254K

MAKE: TOYOTA

TYPE: LandCruiser 40 Series

MODEL: BJ40, FJ40,
HJ40

YEAR: 1960 – 1980

DETAIL: S.W.B. (25mm Spring Eyes)



TOY-50

FRONT		TYPE	QTY	PART NUMBER
<p>LEAF SPRING Type 'A'</p> <p>NOTE: 25mm Spring Eye</p> <p>7 Leaves Raised Height (45mm Lift)</p> <p>7 Leaves Raised Height (45mm Lift) 200Kg Accessories</p>		A	2	HJ40-7L-F
		A	2	HJ45-7L-F
<p>SHACKLE BUSH KIT Rubber Polyurethane Metal</p> <p>Kit Contains: 12 x SPF2230</p>		B	1	PB59-1013K
<p>U-BOLT KIT</p> <p>Right Hand Side Kit Contains: 1 x UB59-453-1 1 x UB59-453-3</p> <p>Left Hand Side 2 x UB59-453-3</p>		A	1	UB59-450K
		A	1	UB59-453-3K
<p>SHOCK ABSORBER</p> <p>Heavy Duty Gas</p>		A	2	GS59-635
<p>STEERING DAMPER Type 'A'</p> <p>Heavy Duty (Big Body) Complete with Fittings</p>		A	1	SD59-823
<p>SHACKLE KIT</p> <p>Greasable: Fit in Pairs</p>		A	2	SK59-002
<p>PIN KIT</p> <p>Greasable: Fit in Pairs</p>		A	2	SP59-006

REAR		TYPE	QTY	PART NUMBER
<p>LEAF SPRING Type 'A'</p> <p>NOTE: 25mm Spring Eye</p> <p>6 Leaves Raised Height (45mm Lift) 25mm Longer Main Leaf</p> <p>7 Leaves Raised Height (55m Lift) 150Kg to GVM 25mm Longer Main Leaf</p>		A	2	TOY-034-R
		A	2	TOY-029-R
<p>SHACKLE BUSH KIT Rubber Polyurethane Metal</p> <p>Kit Contains: 12 x SPF2230</p>		B	1	PB59-1013K
<p>U-BOLT KIT</p> <p>Kit Contains: 2 x UB59-453-3</p>		A	2	UB59-453-3K
<p>SHOCK ABSORBER</p> <p>Pre 01/1975 Heavy Duty Gas</p> <p>Polyurethane Replacement Bush Upper & Lower (16mm ID)</p>		A	2	GS59-635
			4	PB59-933
		A	2	GS59-636
			4	PB59-933
<p>SHACKLE KIT</p> <p>Greasable: Fit in Pairs</p>		A	2	SK59-002
<p>PIN KIT</p> <p>Greasable: Fit in Pairs</p>		A	2	SP59-006

MAKE: TOYOTA

TYPE: LandCruiser 40 Series

MODEL: BJ42, FJ40

YEAR: 1980 – 1984

DETAIL: S.W.B. (35mm Spring Eyes)

TOY-52



FRONT		TYPE	QTY	PART NUMBER
<p>LEAF SPRING Type 'A'</p> <p>7 Leaves Raised Height (45mm Lift)</p>		A	2	BJ42-7L-F
<p>7 Leaves Raised Height (45mm Lift) 200Kg Accessories</p>		A	2	HJ47-7L-F
<p>SHACKLE BUSH KIT Rubber Polyurethane Metal</p> <p>Kit Contains: 12 x SPF2260</p>		B	1	PB59-1019K
<p>U-BOLT KIT</p> <p>Right Hand Side</p>		A	1	UB59-449K
<p>Kit Contains: 1 x UB59-453-3 1 x UB59-449</p>		B	1	UB59-449K
<p>Left Hand Side</p>		A	1	UB59-453-3K
<p>2 x UB59-453-3</p>		A	1	UB59-453-3K
<p>SHOCK ABSORBER</p> <p>Heavy Duty Gas</p>		A	2	GS59-635
<p>STEERING DAMPER Type 'A'</p> <p>Heavy Duty (Big Body) Complete with Fittings</p>		A	1	SD59-823
<p>SHACKLE KIT</p> <p>Greasable: Fit in Pairs</p>		A	2	SK59-003
<p>Can be substitute by: Right Hand Side (Anti-Reverse) Left Hand Side (Anti-Reverse)</p>		D	1	SK59-047
<p>Left Hand Side (Anti-Reverse)</p>		D	1	SK59-048
<p>PIN KIT</p> <p>Greasable: Fit in Pairs</p>		C	2	SP59-007

REAR		TYPE	QTY	PART NUMBER
<p>LEAF SPRING Type 'A'</p> <p>6 Leaves Raised Height (50mm Lift) 25mm Longer Main Leaf</p>		A	2	TOY-035-R
<p>7 Leaves Heavy Duty Raised Height (50mm Lift) 25mm Longer Main Leaf 150Kg to GVM</p>		A	2	TOY-036-R
<p>SHACKLE BUSH KIT Rubber Polyurethane Metal</p> <p>Kit Contains: 12 x SPF2260</p>		B	1	PB59-1019K
<p>U-BOLT KIT</p> <p>Kit Contains: 2 x UB59-453-3</p>		A	2	UB59-453-3K
<p>SHOCK ABSORBER</p> <p>Heavy Duty Gas</p>		A	2	GS59-636
<p>Polyurethane Replacement Bush Upper & Lower (16mm ID)</p>			4	PB59-933
<p>SHACKLE KIT</p> <p>Greasable: Fit in Pairs Right Hand Side Left Hand Side</p>		B	1	SK59-013 (*)
<p>(*) NOTE: Use HJ47 Shackle Kits (Left & Right) Slightly Longer than Original. Assists Lift on the Rear.</p>		B	1	SK59-014 (*)
<p>Can be substitute by: Right Hand Side (Anti-Reverse) Left Hand Side (Anti-Reverse)</p>		D	1	SK59-047
<p>Left Hand Side (Anti-Reverse)</p>		D	1	SK59-048
<p>PIN KIT</p> <p>Greasable: Fit in Pairs</p>		C	2	SP59-007

MAKE: TOYOTA

TYPE: LandCruiser 45 Series

MODEL: FJ45, HJ45

YEAR: Pre 08/1980

DETAIL: L.W.B. Pickup, Troop Carrier



TOY-53

FRONT		TYPE	QTY	PART NUMBER
<p>LEAF SPRING Type 'A'</p> <p>NOTE: 25mm Spring Eyes 7 Leaves Raised Height (40mm Lift) No Accessories</p>		A	2	HJ45-7L-F
<p>8 Leaves Heavy Duty Raised Height (40mm Lift) 50-80Kg Accessories Recommended</p>		A	2	HJ45-8L-F
<p>SHACKLE BUSH KIT Rubber Polyurethane Metal</p> <p>Kit Contains: 12 x SPF2230</p>		B	1	PB59-1013K
<p>U-BOLT KIT</p> <p>Kit Contains: Right Hand Side 1 x UB59-453-1 Left Hand Side 2 x UB59-453-3</p>		A	1	UB59-450K
		A	1	UB59-453-3K
<p>SHOCK ABSORBER</p> <p>Heavy Duty Gas</p>		A	2	GS59-635
<p>STEERING DAMPER Type 'A'</p> <p>Heavy Duty. Complete with Fittings</p>		A	1	SD59-023
<p>SHACKLE KIT</p> <p>Greasable: Fit in Pairs</p>		A	2	SK59-002
<p>PIN KIT</p> <p>Greasable: Fit in Pairs</p>		A	2	SP59-006

REAR		TYPE	QTY	PART NUMBER
<p>LEAF SPRING Type 'B'</p> <p>NOTE: 30mm Spring Eyes 6 + 3 Leaves Raised Height (40mm Lift)</p>		B	1	HJ45-6+3-R RH
		B	1	HJ45-6+3-R LH
<p>7 + 3 Leaves Heavy Duty Raised Height (40mm Lift) 200Kg to GVM</p>		B	1	HJ45-7+3-R RH
		B	1	HJ45-7+3-R LH
<p>SHACKLE BUSH KIT Rubber Polyurethane Metal</p> <p>Kit Contains: 12 x SPF2231A</p>		B	1	PB59-1014K
<p>U-BOLT KIT</p> <p>Kit Contains: 2 x UB59-453-1</p>		A	2	UB59-453-1K
<p>SHOCK ABSORBER</p> <p>Heavy Duty Gas</p>		A	2	GS59-636
<p>SHACKLE KIT</p> <p>Greasable: Fit in Pairs</p> <p>Right Hand Side Left Hand Side</p>		B	2	SK59-016
		B	2	SK59-015
<p>PIN KIT</p> <p>Greasable: Fit in Pairs</p>		B	2	SP59-022

MAKE: TOYOTA **TYPE:** LandCruiser 45 Series

MODEL: FJ45, HJ47, BJ45, BJ46 **YEAR:** 07/1980 – 1985

DETAIL: L.W.B. Pickup, Troop Carrier (35mm Spring Eyes) **TOY-54**



FRONT		TYPE	QTY	PART NUMBER
LEAF SPRING Type 'A' 7 Leaves Raised Height (40mm Lift)		A	2	HJ47-7L-F
8 Leaves Heavy Duty Raised Height (40mm Lift) 40Kg Accessories Recommended		A	2	HJ47-8L-F
SHACKLE BUSH KIT Rubber Polyurethane Metal Type 'A' 'B' 'C' Kit Contains: 12 x SPF2260		B	1	PB59-1019K
U-BOLT KIT Type 'A' 'B' 'C' Kit Contains: Right Hand Side 1 x UB59-453-3 1 x UB59-449 Left Hand Side 2 x UB59-453-3		A B A	1 1 1	UB59-449K UB59-453-3K
SHOCK ABSORBER Type 'A' 'B' 'C' Heavy Duty Gas		A	2	GS59-635
STEERING DAMPER Type 'A' Heavy Duty Complete with Fittings		A	1	SD59-023
SHACKLE KIT Type 'A' 'B' 'C' 'D' Greasable: Fit in Pairs		A	2	SK59-003
Can be substitute by: Right Hand Side (Anti-Reverse) Left Hand Side (Anti-Reverse)		D D	1 1	SK59-047 SK59-048
PIN KIT Type 'A' 'B' 'C' Greasable: Fit in Pairs		C	2	SP59-007

REAR		TYPE	QTY	PART NUMBER
LEAF SPRING Type 'B' 6 + 3 Leaves Raised Height (40mm Lift)		B B	1 1	HJ47-6+3-R RH HJ47-6+3-R LH
7 + 3 Leaves Heavy Duty Raised Height (40mm Lift) 200Kg to GVM		B B	1 1	HJ47-7+3-R RH HJ47-7+3-R LH
SHACKLE BUSH KIT Rubber Polyurethane Metal Type 'A' 'B' 'C' Kit Contains: 12 x SPF2260		B	1	PB59-1019K
U-BOLT KIT Type 'A' 'B' 'C' Kit Contains: 2 x UB59-453-1		A	2	UB59-453-1K
SHOCK ABSORBER Type 'A' 'B' 'C' Heavy Duty Gas		A	2	GS59-636
SHACKLE KIT Type 'A' 'B' 'C' 'D' Greasable: Fit in Pairs		B B	1 1	SK59-013 SK59-014
Right Hand Side Left Hand Side		B B	1 1	SK59-013 SK59-014
Can be substitute by: Right Hand Side (Anti-Reverse) Left Hand Side (Anti-Reverse)		D D	1 1	SK59-047 SK59-048
PIN KIT Type 'A' 'B' 'C' Greasable: Fit in Pairs		C	2	SP59-007

MAKE: TOYOTA

TYPE: LandCruiser 75 Series

MODEL: FJ75, HJ75,
BJ75

YEAR: 11/1984 – 01/1990

DETAIL: Pickup, Troop Carrier



TOY-58

FRONT		TYPE	QTY	PART NUMBER
<p>LEAF SPRING Type 'A'</p> <p>7 Leaves Raised Height (45mm Lift) No Accessories</p>		A	2	HJ75-7L-F
<p>8 Leaves Heavy Duty Raised Height (50mm Lift) 40-70Kg Accessories Recommended</p>		A	2	HJ75-8L-F
<p>SHACKLE BUSH KIT Rubber Polyurethane Metal</p> <p>Kit Contains: 12 x SPF2260</p>		B	1	PB59-1019K
<p>U-BOLT KIT</p> <p>Kit Contains: 2 x UB59-668</p>		B	2	UB59-668K
<p>SHOCK ABSORBER</p> <p>Heavy Duty Gas</p>		B	2	GS59-637
<p>STEERING DAMPER Type 'A'</p> <p>Heavy Duty Complete with Fittings</p>		A	1	SD59-024
<p>SHACKLE KIT</p> <p>Greasable: Fit in Pairs Can be substituted by: Right Hand Side (Anti-Reverse) Left Hand Side (Anti-Reverse)</p>		A	2	SK59-003
<p>Right Hand Side (Anti-Reverse)</p>		D	1	SK59-047
<p>Left Hand Side (Anti-Reverse)</p>		D	1	SK59-048
<p>PIN KIT</p> <p>Greasable: Fit in Pairs</p>		C	2	SP59-007

REAR		TYPE	QTY	PART NUMBER
<p>LEAF SPRING Type 'B'</p> <p>6 + 2 Leaves – Standard Duty Raised Height (50mm Lift) Light Load to GVM</p>		B	2	HJ75-6+2-R
<p>7 + 2 Leaves – Heavy Duty Raised Height (50mm Lift) 300Kg to GVM</p>		B	2	HJ75-7+2-R
<p>8 + 2 Leaves – Super Heavy Duty Raised Height (50mm Lift) 500Kg to GVM</p>		B	2	HJ75-8+2-R
<p>SHACKLE BUSH KIT Rubber Polyurethane Metal</p> <p>Kit Contains: 12 x SPF2270</p>		B	1	PB59-1020K
<p>U-BOLT KIT</p> <p>Kit Contains: 2 x UB59-453-1</p>		A	2	UB59-453-1K
<p>SHOCK ABSORBER</p> <p>Softer Option Gas (Big Bore)</p>		A	2	GS45-115
<p>Heavy Duty Gas (Recommended)</p>		A	2	GS59-081
<p>Heavy Duty Gas (Big Bore)</p>		A	2	GS59-079
<p>SHACKLE KIT</p> <p>Greasable: Fit in Pairs</p>		A	2	SK59-019
<p>Can be substituted by: Right Hand Side (Anti-Reverse) Left Hand Side (Anti-Reverse)</p>		D	1	SK59-047
<p>Left Hand Side (Anti-Reverse)</p>		D	1	SK59-048
<p>PIN KIT</p> <p>Greasable: Fit in Pairs</p>		C	2	SP59-023

MAKE: TOYOTA

TYPE: LandCruiser 75 Series

MODEL: FZJ75, HZJ75

YEAR: 1990 – 09/1999

Pickup, Troop Carrier. Disc Brake Rear End.

DETAIL: Model with Rear Drum Brake (Pre 10/1991)

Use Rear Spring Part Number HJ75-6+2-R **TOY-67**



FRONT		TYPE	QTY	PART NUMBER
<p>LEAF SPRING Type 'A'</p> <p>7 Leaves – Raised Height (50mm Lift) No Accessories</p> <p>8 Leaves – Raised Height Heavy Duty (50mm Lift) 40-70Kg Accessories Recommended</p>		A	2	HZJ75-7L-F
		A	2	HZJ75-8L-F
<p>SHACKLE BUSH KIT Rubber Polyurethane Metal</p> <p>Kit Contains: 12 x SPF2260</p>		B	1	PB59-1019K
<p>U-BOLT KIT</p> <p>Kit Contains: 2 x UB59-668</p>		B	2	UB59-668K
<p>SHOCK ABSORBER</p> <p>Heavy Duty Gas</p>		B	2	GS59-637
<p>STEERING DAMPER Type 'A'</p> <p>Heavy Duty Complete with Fittings</p>		A	1	SD59-024
<p>SHACKLE KIT</p> <p>Greasable: Fit in Pairs Can be substituted by: Right Hand Side (Anti-Reverse) Left Hand Side (Anti-Reverse)</p>		A	2	SK59-018
		D	1	SK59-047
		D	1	SK59-048
<p>PIN KIT</p> <p>Greasable: Fit in Pairs</p>		C	2	SP59-007

REAR		TYPE	QTY	PART NUMBER
<p>LEAF SPRING Type 'B'</p> <p>6 + 2 Leaves – Standard Duty Raised Height (50mm Lift) Light Load to GVM</p> <p>7 + 2 Leaves – Heavy Duty Raised Height (50mm Lift) 300Kg to GVM</p> <p>8 + 2 Leaves – Super Heavy Duty Raised Height (50mm Lift) 500Kg to GVM</p>		B	2	HZJ75-6+2-R
		B	2	HZJ75-7+2-R
		B	2	HZJ75-8+2-R
<p>SHACKLE BUSH KIT Rubber Polyurethane Metal</p> <p>Kit Contains: 12 x SPF2270</p>		B	1	PB59-1020K
<p>U-BOLT KIT</p> <p>Kit Contains: 2 x UB59-453-1</p>		A	2	UB59-453-1K
<p>SHOCK ABSORBER</p> <p>Softer Option Gas (Big Bore)</p> <p>Heavy Duty Gas (Recommended)</p> <p>Heavy Duty Gas (Big Bore)</p>		A	2	GS45-115
		A	2	GS59-081
		A	2	GS59-079
<p>SHACKLE KIT</p> <p>Greasable: Fit in Pairs Can be substituted by: Right Hand Side (Anti-Reverse) Left Hand Side (Anti-Reverse)</p>		A	2	SK59-020
		D	1	SK59-047
		D	1	SK59-048
<p>PIN KIT</p> <p>Greasable: Fit in Pairs</p>		C	2	SP59-023

MAKE: TOYOTA

TYPE: LandCruiser 78 Series

MODEL: FZJ79, HZJ79

YEAR: 09/1999 on

DETAIL: Pickup
Front Coil Suspension

TOY-78



FRONT		TYPE	QTY	PART NUMBER
COIL SPRING Type 'C' 				
Linear Rate Standard Height Up to 50Kg Accessories			2	C59-250 (Pair)
Linear Rate Raised Height (35mm Lift) Up to 50Kg Accessories			2	C59-248 (Pair)
Linear Rate Super Heavy Duty Raised Height (35mm Lift) 50-110Kg Accessories			2	C59-252 (Pair)
SHOCK ABSORBER 				
Heavy Duty Gas		D	2	GS45-114
STEERING DAMPER Type 'A' 				
Heavy Duty Complete with Fittings		A	1	SD59-024
UNDER BODY BUSH KIT 				
NOTE: Polyurethane Bush Kit Contains Rear Under Body Bushes 2 x Front Panhard Rod Bush 4 x Front Leading Arm to Diff Bush 4 x Front Leading Arm to Chassis Bush			- 1	PB59-1261K
CASTOR KIT Front Leading Arm Castor Kit (±2°) 4 x Polyurethane Bushes 4 x Eccentric Bushes (+1 Grease Tube)			- 1	SPF1721K
Raising vehicle will affect castor angle. A wheel alignment is recommended to determine if a castor kit is required.				

REAR		TYPE	QTY	PART NUMBER
LEAF SPRING Type 'B' 				
6 + 2 Leaves – Comfort Spring Raised Height (45mm Lift) Light Load to GVM		B	2	TOY-078-R
6 + 2 Leaves – Standard Duty Raised Height (55mm Lift) Medium Load to GVM		B	2	TOY-082-R
7 + 2 Leaves – Heavy Duty Raised Height (55mm Lift) 300Kg to GVM		B	2	TOY-083-R
8 + 2 Leaves – Super Heavy Duty Raised Height (55mm Lift) 500Kg to GVM		B	2	TOY-084-R
SHACKLE BUSH KIT Rubber Polyurethane Metal 				
Kit Contains: 4 x SPF1781 4 x SPF1782		B	1	PB59-1089K
U-BOLT KIT 				
Kit Contains: Suits: TOY-078-R 2 x UB59-453-1 TOY-082-R 2 x UB59-453-1 TOY-083-R 2 x UB59-416 TOY-084-R 2 x UB59-416		A	2	UB59-453-1K
		A	2	UB59-453-1K
		A	2	UB59-416K
		A	2	UB59-416K
SHOCK ABSORBER 				
Softer Option Gas (Big Bore)		A	2	GS45-115
Heavy Duty Gas Recommended		A	2	GS59-081
Heavy Duty Gas (Big Bore)		A	2	GS59-079
SHACKLE KIT 				
Greasable: Fit in Pairs		C	2	SK59-043
PIN KIT 				
Greasable: Fit in Pairs		C	2	SP59-044

MAKE: TOYOTA

TYPE: LandCruiser 78 Series

MODEL: FZJ78, HZJ78

YEAR: 09/1999 on

DETAIL: Troop Carrier



TOY-81

FRONT		TYPE	QTY	PART NUMBER
<p>COIL SPRING Type 'C'</p> <p>Linear Rate Standard Height Up to 50Kg Accessories</p> <p>Linear Rate Raised Height (35mm Lift) Up to 50Kg Accessories</p> <p>Linear Rate Super Heavy Duty Raised Height (35mm Lift) 50-110Kg Accessories</p>	2		C59-250 (Pair)	
	2		C59-248 (Pair)	
	2		C59-252 (Pair)	
<p>SHOCK ABSORBER</p> <p>Heavy Duty Gas</p> <p>Type 'A' 'B' 'D'</p>	D	2	GS45-114	
<p>STEERING DAMPER Type 'A'</p> <p>Heavy Duty Complete with Fittings</p>	A	1	SD59-024	
<p>UNDER BODY BUSH KIT</p> <p>Polyurethane Bush</p> <p>NOTE: Kit Contains Rear Under Body Bushes</p> <p>2 x Front Panhard Rod Bush 4 x Front Leading Arm to Diff Bush 4 x Front Leading Arm to Chassis Bush</p>	-	1	PB59-1261K	
<p>CASTOR KIT</p> <p>Front Leading Arm Castor Kit (±2°)</p> <p>4 x Polyurethane Bushes 4 x Eccentric Bushes (+1 Grease Tube)</p> <p>Raising vehicle will affect castor angle. A wheel alignment is recommended to determine if a castor kit is required.</p>	-	1	SPF1721K	

REAR		TYPE	QTY	PART NUMBER
<p>LEAF SPRING Type 'B'</p> <p>6 + 2 Leaves Standard Duty Raised Height (55mm Lift) Light Load to GVM</p> <p>7 + 2 Leaves Heavy Duty Raised Height (55mm Lift) 300Kg to GVM</p> <p>8 + 2 Leaves Super Heavy Duty Raised Height (55mm Lift) 500Kg to GVM</p>	B	2	TOY-082-R	
	B	2	TOY-083-R	
	B	2	TOY-084-R	
	B	2	TOY-084-R	
<p>SHACKLE BUSH KIT</p> <p>Rubber Polyurethane Metal</p> <p>Kit Contains: 4 x SPF1781 2 x SPF1782 4 x SPF1798</p> <p>Type 'A' 'B' 'C'</p>	B	1	PB59-1090K	
<p>U-BOLT KIT</p> <p>Type 'A' 'B' 'C'</p> <p>Kit Contains:</p> <p>Suits:</p> <p>TOY-082-R 2 x UB59-453-1 TOY-083-R 2 x UB59-416 TOY-084-R 2 x UB59-416</p>	A	2	UB59-453-1K	
	A	2	UB59-416K	
	A	2	UB59-416K	
<p>SHOCK ABSORBER</p> <p>Softer Option Gas (Big Bore)</p> <p>Heavy Duty Gas Recommended</p> <p>Heavy Duty Gas (Big Bore)</p> <p>Type 'A' 'B' 'C'</p>	A	2	GS45-115	
	A	2	GS59-081	
	A	2	GS59-079	
<p>SHACKLE KIT</p> <p>Type 'A' 'B' 'C' 'D'</p> <p>Greasable: Fit in Pairs</p>	C	2	SK59-051	
<p>PIN KIT</p> <p>Type 'A' 'B' 'C'</p> <p>Greasable: Fit in Pairs</p>	C	2	SP59-044	

MAKE: TOYOTA

TYPE: LandCruiser 55 Series

MODEL: FJ55

YEAR: 1970 – 1980

DETAIL: Station Wagon



TOY-51

FRONT		TYPE	QTY	PART NUMBER
LEAF SPRING <p>Type 'A'</p> <p>6 Leaves Raised Height (45mm Lift)</p>		A	2	TOY-055-F
SHACKLE BUSH KIT <p>Rubber Polyurethane Metal</p> <p>Kit Contains: 12 x SPF2231A</p> <p>Type 'A' 'B' 'C'</p>		B	1	PB59-1014K
U-BOLT KIT <p>Type 'A' 'B' 'C'</p> <p>Kit Contains: Right Hand Side 1 x UB59-453-1 1 x UB59-453-3 Left Hand Side 2 x UB59-453-3</p>		A	2	UB59-450K
SHOCK ABSORBER <p>Type 'A' 'B' 'C'</p> <p>Heavy Duty Gas</p>		B	2	GS15-639S
STEERING DAMPER <p>Type 'A'</p> <p>Heavy Duty Complete with Fittings</p>		A	1	SD59-023
SHACKLE KIT <p>Type 'A' 'B' 'C' 'D'</p> <p>Greasable: Fit in Pairs</p> <p>Right Hand Side Left Hand Side</p>		B	1	SK59-015
		B	1	SK59-016

REAR		TYPE	QTY	PART NUMBER
LEAF SPRING <p>Type 'A'</p> <p>8 Leaves Raised Height (45mm Lift)</p>		A	2	TOY-056-R
SHACKLE BUSH KIT <p>Rubber Polyurethane Metal</p> <p>Kit Contains: 12 x SPF2231A</p> <p>Type 'A' 'B' 'C'</p>		B	1	PB59-1014K
U-BOLT KIT <p>Type 'A' 'B' 'C'</p> <p>Kit Contains: 2 x UB59-453-3</p>		A	2	UB59-453-3K
SHOCK ABSORBER <p>Type 'A' 'B' 'C'</p> <p>Heavy Duty Gas</p>		A	2	GS59-636
SHACKLE KIT <p>Type 'A' 'B' 'C' 'D'</p> <p>Greasable: Fit in Pairs</p> <p>Right Hand Side Left Hand Side</p>		B	1	SK59-015
		B	1	SK59-016

MAKE: TOYOTA

TYPE: LandCruiser 60 Series

MODEL: FJ60, FJ62
HJ60, HJ61

YEAR: 1980 – 1990

DETAIL: Station Wagon



TOY-55

FRONT		TYPE	QTY	PART NUMBER
<p>LEAF SPRING Type 'A'</p> <p>5 Leaves - Raised Height (45mm Lift) Petrol – No Accessories</p> <p>6 Leaves – Raised Height (45mm Lift) Petrol – With Accessories OR Diesel – No Accessories</p> <p>7 Leaves – Raised Height (45mm Lift) Diesel – With Accessories</p> <p>Suit: HJ61 Turbo Diesel 7 Leaves – Raised Height (45mm Lift)</p>				
A	2			HJ60-5L-F
A	2			HJ60-6L-F
A	2			HJ60-7L-F
A	2			HJ61-7L-F
<p>SHACKLE BUSH KIT Rubber Polyurethane Metal Type 'A' 'B' 'C'</p> <p>Kit Contains: 12 x SPF2260</p>				
B	1			PB59-1019K
<p>U-BOLT KIT Type 'A' 'B' 'C'</p> <p>Kit Contains: 2 x UB59-436</p>				
B	2			UB59-436K
<p>SHOCK ABSORBER Type 'A' 'B' 'C'</p> <p>Heavy Duty Gas</p>				
B	2			GS59-637
<p>STEERING DAMPER Type 'A'</p> <p>Heavy Duty Complete with Fittings</p>				
A	1			SD59-024
<p>SHACKLE KIT Type 'A' 'B' 'C' 'D'</p> <p>Greasable: Fit in Pairs Can be substituted by: Right Hand Side (Anti-Reverse) Left Hand Side (Anti-Reverse)</p>				
A	2			SK59-003
D	1			SK59-047
D	1			SK59-048
<p>PIN KIT Type 'A' 'B' 'C'</p> <p>Greasable: Fit in Pairs</p>				
C	2			SP59-007

REAR		TYPE	QTY	PART NUMBER
<p>LEAF SPRING Type 'A'</p> <p>NOTE: For LH Drive Models, Fit the Higher Camber Spring to the LH Side of the Vehicle</p> <p>7 Leaves – Plus 1 Spacer Leaf Raise Height (45mm Lift)</p> <p>Suit: HJ61 Turbo Diesel</p> <p>7 Leaves – Plus 1 Spacer Leaf Raised Height (45mm Lift)</p>				
A	1			HJ60-7L-R RH
A	1			HJ60-7L-R LH
A	1			HJ61-7L-R RH
A	1			HJ61-7L-R LH
<p>SHACKLE BUSH KIT Rubber Polyurethane Metal Type 'A' 'B' 'C'</p> <p>Kit Contains: 12 x SPF2260</p>				
B	1			PB59-1019K
<p>U-BOLT KIT Type 'A' 'B' 'C'</p> <p>Kit Contains: 2 x UB59-453-1</p>				
A	2			UB59-453-1K
<p>SHOCK ABSORBER Type 'A' 'B' 'C'</p> <p>Pre 10/1985 Chassis No. < 33417 Heavy Duty Gas</p> <p>10/1985 on Chassis No. > 33418 Heavy Duty Gas</p>				
A	2			GS59-636
A	2			GS59-650
<p>SHACKLE KIT Type 'A' 'B' 'C' 'D'</p> <p>Greasable: Fit in Pairs Can be substituted by: Right Hand Side (Anti-Reverse) Left Hand Side (Anti-Reverse)</p>				
A	2			SK59-019
D	1			SK59-047
D	1			SK59-048
<p>PIN KIT Type 'A' 'B' 'C'</p> <p>Greasable: Fit in Pairs</p>				
C	2			SP59-007

MAKE: TOYOTA

TYPE: LandCruiser 80 Series

MODEL: FJ80, HDJ80,
HZJ80

YEAR: 05/1990 – 08/1991

DETAIL: Station Wagon



TOY-68

FRONT		TYPE	QTY	PART NUMBER
COIL SPRING Type 'C' <p>Linear Rate Standard Height</p> <p>Linear Rate Raised Height (45mm Lift) Up to 50Kg Accessories Recommended</p> <p>Linear Rate Extra Heavy Duty Raised Height (45mm Lift) 50-110Kg Accessories</p>			2	C59-168 (Pair)
			2	C59-166 (Pair)
			2	C59-170 (Pair)
SHOCK ABSORBER <p>Type 'A' 'B' 'D'</p> <p>Heavy Duty Gas</p>		D	2	GS59-683
STEERING DAMPER <p>Type 'A'</p> <p>Heavy Duty Complete with Fittings</p>		A	1	SD59-024
UNDER BODY BUSH KIT <p>Polyurethane Bush</p>				
NOTE: See Rear Under Body Bush Kit				
CASTOR KIT Front Radius Arm Castor Kit ($\pm 2^\circ$) 4 x Polyurethane Bushes 4 x Eccentric Bushes (+1 Grease Tube)		-	1	SPF1721K
Raising vehicle will affect castor angle. A wheel alignment is recommended to determine if a castor kit is required.				

REAR		TYPE	QTY	PART NUMBER
COIL SPRING Type 'C' <p>Linear Rate Standard Height</p> <p>Linear Rate Raised Height (45mm Lift) Medium Load to GVM Recommended</p> <p>Variable Rate Raised Height (45mm Lift) Medium Load to GVM</p> <p>Linear Rate Extra Heavy Duty Raised Height (45mm Lift) 350Kg to GVM</p>			2	C59-169 (Pair)
			2	C59-167 (Pair)
			2	C59-175V (Pair)
			2	C59-171 (Pair)
SHOCK ABSORBER <p>Type 'A' 'B' 'C'</p> <p>Heavy Duty Gas</p>		B	2	GS59-682
UNDER BODY BUSH KIT <p>Polyurethane Bush</p>				
NOTE: Kit Contains Front & Rear Under Body Bushes 4 x Front Leading Arm Bush 2 x Front Radius Arm to Chassis Mount 2 x Front Panhard Rod Bush 2 x Rear Panhard Rod Bush 4 x Rear Upper Trailing Arm Bush 4 x Rear Lower Trailing Arm Bush		-	1	PB59-1258K

MAKE: TOYOTA

TYPE: LandCruiser 80 Series

MODEL: FJ80, FZJ80,
HZJ80

YEAR: 08/1991 – 1998

DETAIL: Station Wagon



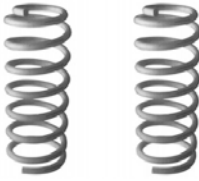






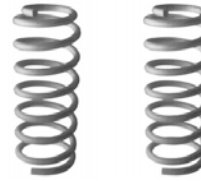


TOY-69

FRONT		TYPE	QTY	PART NUMBER
<p>COIL SPRING Type 'C'</p>	Variable Rate Standard Height		2	C59-210V (Pair)
	Variable Rate Raised Height (40mm Lift) Up to 50Kg Accessories		2	C59-220V (Pair)
	Variable Rate Raised Height (40mm Lift) 50-100Kg Accessories		2	C59-222V (Pair)
	Linear Rate Raised Height (45mm Lift) 100Kg Accessories Recommended		2	C59-168 (Pair)
	Linear Rate Raised Height (45mm Lift) Up to 100Kg Accessories OR (60mm Lift) No Accessories		2	C59-166 (Pair)
	Linear Rate Comfort Spring – Petrol Only Raised Height (40mm Lift) Up to 50Kg Accessories		2	C59-234 (Pair)
<p>SHOCK ABSORBER</p> <p>Heavy Duty Gas</p> <p>Type 'A' 'B' 'D'</p>		D	2	GS59-683
<p>STEERING DAMPER</p> <p>Type 'A'</p> <p>Heavy Duty Complete with Fittings</p>		A	1	SD59-024
<p>UNDER BODY BUSH KIT</p> <p>Polyurethane Bush</p>				
<p>NOTE: See Rear Under Body Bush Kit</p>				
<p>CASTOR KIT Front Radius Arm Castor Kit ($\pm 2^\circ$)</p> <p>4 x Polyurethane Bushes 4 x Eccentric Bushes (+1 Grease Tube)</p> <p>Raising vehicle will affect castor angle. A wheel alignment is recommended to determine if a castor kit is required.</p>		-	1	SPF1721K

REAR		TYPE	QTY	PART NUMBER
<p>COIL SPRING Type 'C'</p>	Variable Rate Standard Height		2	C59-221V (Pair)
	Variable Rate Comfort Spring – Petrol Only Raised Height (45mm Lift) Light Load to GVM		2	C59-269V (Pair)
	Linear Rate Raised Height (45mm Lift) Medium Load to GVM Recommended		2	C59-169 (Pair)
	Linear Rate Raised Height (60mm Lift) Medium Load to GVM		2	C59-167 (Pair)
	Variable Rate Raised Height (45mm Lift) Medium Load to GVM		2	C59-223V (Pair)
	Linear Rate Raised Height (50mm Lift) 350Kg to GVM		2	C59-171 (Pair)
<p>SHOCK ABSORBER</p> <p>Heavy Duty Gas</p> <p>Type 'A' 'B' 'C'</p>		B	2	GS59-682
<p>UNDER BODY BUSH KIT</p> <p>Polyurethane Bush</p>				
<p>NOTE: Kit Contains Front & Rear Under Body Bushes</p> <p>4 x Front Leading Arm Bush 2 x Front Radius Arm to Chassis Mount 2 x Front Panhard Rod Bush 2 x Rear Panhard Rod Bush 4 x Rear Upper Trailing Arm Bush 4 x Rear Lower Trailing Arm Bush</p>		-	1	PB59-1258K

MAKE: TOYOTA **TYPE:** Landcruiser
MODEL: FZJ/HZJ/HDJ **YEAR:** 05-1990 on
 80/105
DETAIL: Station Wagon
 150mm (6") Lift **TOY-88**

 FRONT 	TYPE	QTY	PART NUMBER
<p>COIL SPRING Type 'C'</p>  <ul style="list-style-type: none"> NOTE: See warning below <p>Linear Rate Raised Height 150mm Lift</p>		2	C59-310 (Pair)
<p>SHOCK ABSORBER</p>  <p>Type 'A' 'B' 'E'</p> <p>Heavy Duty Gas</p>		2	GS59-684
<p>STEERING DAMPER Type 'A'</p>  <p>Heavy Duty (Big Body) Complete with Fittings</p>	A	1	SD59-824
<p>CASTOR KIT</p> <p>Front Radius Arm Castor Kit (±2°)</p> <p>4 x Polyurethane Bushes 4 x Eccentric Bushes (+1 Grease Tube)</p> <p>Raising vehicle will affect castor angle. A wheel alignment is recommended to determine if a castor kit is required.</p>	-	1	SPF1721K

 REAR 	TYPE	QTY	PART NUMBER
<p>COIL SPRING Type 'C'</p>  <ul style="list-style-type: none"> NOTE: See warning below <p>Linear Rate Raised Height 150mm Lift</p>		2	C59-311 (Pair)
<p>SHOCK ABSORBER</p>  <p>Type 'A' 'B' 'C'</p> <p>Heavy Duty Gas</p>		2	GS59-685
<p>UNDER BODY BUSH KIT</p>  <p>Polyurethane Bush</p> <p>NOTE: Kit Contains Rear Under Body Bushes</p> <p>4 x Front Leading Arm Bush 2 x Front Radius Arm to Chassis Mount 2 x Front Panhard Rod Bush 2 x Rear Panhard Rod Bush 4 x Rear Upper Trailing Arm Bush 4 x Rear Lower Trailing Arm Bus</p>		-	1 PB59-1258K
<p>WARNING:</p> <p>This 150mm lift Suspension Kit is for off-road use only. The following extensive modifications need to be made to the vehicle before the kit is fitted.</p> <ol style="list-style-type: none"> Adjustable Panhard Rods Modified Leading / Trailing Arms Brake Hoses Extended Bump Stops Gear Box & Drive Line Modifications Steering Arms <p>Note: No Warranty or Guarantee on Products to suit 4" lift and higher.</p>			

MAKE: TOYOTA **TYPE:** LandCruiser 100 Series

MODEL: HDJ100, HZJ100, **YEAR:** 1998 on UZJ100

DETAIL: Independent Front Suspension VX Petrol and Diesel **TOY-75**



FRONT		TYPE	QTY	PART NUMBER
<p>TORSION BAR Type 'D'</p>				
V8 Petrol	Linear Rate Length 1160mm	D	2	TB59-1600 (Pair)
Diesel / Turbo Diesel / 6 Cyl. Petrol	Linear Rate Length 1210mm	D	2	TB59-1610 (Pair)
<p>SHOCK ABSORBER Type 'A' 'B' 'C'</p>				
	Heavy Duty Gas	B	2	GS59-782

REAR		TYPE	QTY	PART NUMBER
<p>COIL SPRING Type 'C'</p>				
	Linear Rate Standard Height (10mm Lift) Light Load to GVM		2	C59-169 (Pair)
	Linear Rate Raised Height (30mm Lift) Medium Load to GVM Recommended		2	C59-167 (Pair)
	Linear Rate Raised Height (30mm Lift) 200Kg to GVM		2	C59-185 (Pairs)
	Linear Rate Raised Height (30mm Lift) 400Kg to GVM		2	C59-171 (Pairs)
<p>SHOCK ABSORBER Type 'A' 'B' 'C'</p>				
	Heavy Duty Gas	B	2	GS59-682
<p>UNDER BODY BUSH KIT Polyurethane Bush</p>				
<p>NOTE:</p> <p>Kit Contains Rear Under Body Bushes</p> <p>2 x Rear Panhard Rod Bush 4 x Rear Upper Trailing Arm Bush 4 x Rear Lower Trailing Arm Bush</p>			1	PB59-1259K

MAKE: TOYOTA

TYPE: LandCruiser 70 Series

MODEL: FJ/BJ 70, BJ71, **YEAR:** 1985 – 12/1989
FJ/BJ 73, FJ/BJ 74

DETAIL: Mid Wheel Base



TOY-57

FRONT		TYPE	QTY	PART NUMBER
<p>LEAF SPRING Type 'A'</p> <p>7 Leaves Raised Height (45mm Lift)</p> <p>8 Leaves Raised Height (45mm Lift) 60-100Kg Accessories</p>		A	2	HJ75-7L-F
<p>SHACKLE BUSH KIT Rubber Polyurethane Metal</p> <p>Kit Contains: 12 x SPF2260</p>		B	1	PB59-1019K
<p>U-BOLT KIT</p> <p>Kit Contains: 2 x UB59-436</p>		B	2	UB59-436K
<p>SHOCK ABSORBER</p> <p>Heavy Duty Gas</p>		B	2	GS59-637
<p>STEERING DAMPER Type 'A'</p> <p>Heavy Duty Complete with Fittings</p>		A	1	SD59-024
<p>SHACKLE KIT</p> <p>Greasable: Fit in Pairs</p> <p>Can be substitute by: Right Hand Side (Anti-Reverse) Left Hand Side (Anti-Reverse)</p>		A	2	SK59-003
<p>PIN KIT</p> <p>Greasable: Fit in Pairs</p>		C	2	SP59-007

REAR		TYPE	QTY	PART NUMBER
<p>LEAF SPRING Type 'A'</p> <p>7 Leaves – Plus 1 Spacer Leaf Raised Height (50mm Lift)</p> <p>7 Leaves – Plus 1 Spacer Leaf Raised Height (50mm Lift) 150Kg to GVM</p>		A	1	HJ60-7L-R RH
		A	1	HJ60-7L-R LH
<p>SHACKLE BUSH KIT Rubber Polyurethane Metal</p> <p>Kit Contains: 12 x SPF2260</p>		B	1	PB59-1019K
<p>U-BOLT KIT</p> <p>Kit Contains: 2 x UB59-453-3</p>		A	2	UB59-453-3K
<p>SHOCK ABSORBER</p> <p>Heavy Duty Gas</p>		A	2	GS59-650
<p>SHACKLE KIT</p> <p>Greasable: Fit in Pairs</p> <p>Can be substitute by: Right Hand Side (Anti-Reverse) Left Hand Side (Anti-Reverse)</p>		A	2	SK59-019
		D	1	SK59-047
		D	1	SK59-048
<p>PIN KIT</p> <p>Greasable: Fit in Pairs</p>		C	2	SP59-023

MAKE: TOYOTA

TYPE: LandCruiser 70 Series

MODEL: HZJ70, HZJ73,
PZJ70, PZJ73

YEAR: 1990 on

DETAIL: Mid Wheel Base

TOY-66



FRONT		TYPE	QTY	PART NUMBER
<p>LEAF SPRING Type 'A'</p> <p>7 Leaves Raised Height (45mm Lift)</p> <p>8 Leaves Raised Height (45mm Lift) 60-100Kg Accessories</p>		A	2	HZJ75-7L-F
		A	2	HZJ75-8L-F
<p>SHACKLE BUSH KIT Rubber Polyurethane Metal</p> <p>Kit Contains: 12 x SPF2260</p>		B	1	PB59-1019K
<p>U-BOLT KIT</p> <p>Kit Contains: 2 x UB59-436</p>		B	2	UB59-436K
<p>SHOCK ABSORBER</p> <p>Heavy Duty Gas</p>		B	2	GS59-637
<p>STEERING DAMPER</p> <p>Heavy Duty Complete with Fittings</p>		A	1	SD59-024
<p>SHACKLE KIT</p> <p>Greasable: Fit in Pairs</p> <p>Can be substitute by: Right Hand Side (Anti-Reverse) Left Hand Side (Anti-Reverse)</p>		A	2	SK59-018
		D	1	SK59-047
		D	1	SK59-048
<p>PIN KIT</p> <p>Greasable: Fit in Pairs</p>		C	2	SP59-007

REAR		TYPE	QTY	PART NUMBER
<p>LEAF SPRING Type 'A'</p> <p>7 Leaves – Plus 1 Spacer Leaf Raised Height (50mm Lift)</p> <p>7 Leaves – Plus 1 Spacer Leaf Raised Height (50mm Lift) 150Kg to GVM</p>		A	1	HJ60-7L-R RH
		A	1	HJ60-7L-R LH
<p>SHACKLE BUSH KIT Rubber Polyurethane Metal</p> <p>Kit Contains: 12 x SPF2260</p>		B	1	PB59-1019K
<p>U-BOLT KIT</p> <p>Kit Contains: 2 x UB59-453-3</p>		A	2	UB59-453-3K
<p>SHOCK ABSORBER</p> <p>Heavy Duty Gas</p>		A	2	GS59-650
<p>SHACKLE KIT</p> <p>Greasable: Fit in Pairs</p> <p>Can be substitute by: Right Hand Side (Anti-Reverse) Left Hand Side (Anti-Reverse)</p>		A	2	SK59-019
		D	1	SK59-047
		D	1	SK59-048
<p>PIN KIT</p> <p>Greasable: Fit in Pairs</p>		C	2	SP59-023

MAKE: TOYOTA

TYPE: LandCruiser 70 Series
Bundera

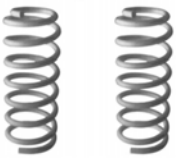
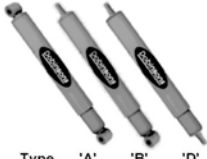


MODEL: LJ70, LJ73
RJ70, RJ73

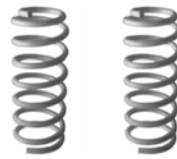


YEAR: 11/1984 – 12/1989

DETAIL: Chassis Number < 09048994



TOY-64

FRONT		TYPE	QTY	PART NUMBER
COIL SPRING Type 'C'  Linear Rate Standard Height 2 C59-084 (Pair)				
Linear Rate Raised Height (45mm Lift) 60-100Kg Accessories 2 C59-082 (Pair)				
Linear Rate Raised Height (60mm Lift) 60-100Kg Accessories 2 C59-266 (Pair)				
SHOCK ABSORBER  Type 'A' 'B' 'D' Heavy Duty Gas D 2 GS45-114				
STEERING DAMPER  Type 'A' Heavy Duty Complete with Fittings A 1 SD59-824				
UNDER BODY BUSH KIT  Polyurethane Bush				
NOTE: See Rear Under Body Bush Kit				

REAR		TYPE	QTY	PART NUMBER
COIL SPRING Type 'C'  Linear Rate Standard Height 2 C59-085 (Pair)				
Linear Rate Raised Height (50mm Lift) Medium Load to GVM 2 C59-083 (Pair)				
Linear Rate Raised Height (65mm Lift) Medium Load to GVM 2 C59-267 (Pair)				
SHOCK ABSORBER  Type 'A' 'B' 'C' SHOCK ABSORBER KIT Kit Contains: Heavy Duty Gas (Big Bore)				
RH Side 1 x GS59-651 (Type A) LH Side 1 x GS59-640 (Type B)			1	GS59-652K
UNDER BODY BUSH KIT  Polyurethane Bush				
NOTE: Kit Contains Front & Rear Under Body Bushes 2 x Front Radius Arm to Chassis Bush 4 x Front Radius Arm to Diff Bush 2 x Front Panhard Rod Bush 2 x Rear Radius Arm to Chassis Bush 4 x Rear Radius Arm to Diff Bush 2 x Rear Panhard Rod Bush				
			- 1	PB59-1255K

MAKE: TOYOTA

TYPE: LandCruiser 70 Series

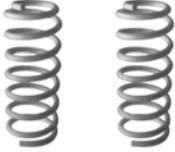
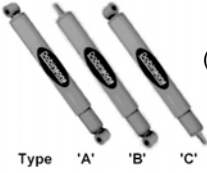


MODEL: LJ70, LJ73, LJ77,
(RJ70, RJ73, KZJ 70/73 - 1994 on)

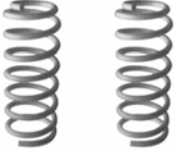
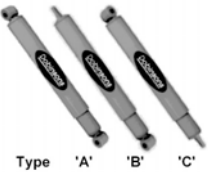

YEAR: 01/1990 – 05/1993

DETAIL: Chassis Number > 09048995

TOY-65



FRONT		TYPE	QTY	PART NUMBER
COIL SPRING Type 'C'  <p>Linear Rate Raised Height (40mm Lift) Up to 50Kg Accessories Recommended</p> <p>Linear Rate Super Raised Height (60mm Lift) Up to 50KG Accessories Recommended (Longer Travel Shock Absorber Required)</p>			2	C59-288 (Pair)
			2	C59-244 (Pair)
SHOCK ABSORBER  <p>Heavy Duty Gas (Not Long Travel)</p> <p>Heavy Duty Gas (Long Travel)</p> <p>Type 'A' 'B' 'C'</p>		C	2	GS59-632
		C	2	GS59-634
STEERING DAMPER  <p>Type 'A'</p> <p>Heavy Duty Complete With Fittings</p>		A	1	SD59-024
UNDER BODY BUSH KIT  <p>Polyurethane Bush</p> <p>NOTE: See Rear Under Body Bush Kit</p>				
CASTOR KIT <p>Front Radius Arm Castor Kit ($\pm 2^\circ$)</p> <p>4 x Polyurethane Bushes 4 x Eccentric Bushes (+1 Grease Tube)</p> <p>Raising vehicle will affect castor angle. A wheel alignment is recommended to determine if a castor kit is required.</p>		-	1	SPF1721K

REAR		TYPE	QTY	PART NUMBER
COIL SPRING Type 'C'  <p>Linear Rate Raised Height (40mm Lift) Recommended</p> <p>Linear Rate Super Raised Height (65mm Lift) Medium Load to GVM Longer Travel Shock Absorber Required</p>			2	C59-289 (Pair)
			2	C59-247 (Pair)
SHOCK ABSORBER  <p>Type 'A' 'B' 'C'</p> <p>Heavy Duty Gas (Not Long Travel)</p> <p>Heavy Duty Gas (Long Travel)</p>		C	2	GS59-631
		C	2	GS59-633
UNDER BODY BUSH KIT  <p>Polyurethane Bush</p> <p>NOTE: Kit Contains Front & Rear Under Body Bushes</p> <p>2 x Front Radius Rod to Chassis Bush 4 x Front Radius Rod to Diff Bush 2 x Front Panhard Rod Bush 2 x Rear Radius Rod to Chassis Bush 4 x Rear Radius Rod to Diff Bush 2 x Rear Panhard Rod Bush</p>		-	1	PB59-1260K

MAKE: TOYOTA **TYPE:** 70 Series Prado I
 LandCruiser II
MODEL: LJ 78/79 **YEAR:** 1987 – 1996
 RJ77, KZJ78
DETAIL: Station Wagon SX5,
 2.4L Petrol, 2.4L TD **TOY-79**



FRONT		TYPE	QTY	PART NUMBER
<p>COIL SPRING Type 'C'</p> <p>Linear Rate Standard Height</p> <p>Linear Rate Raised Height (45mm Lift) Up to 50Kg Accessories</p> <p>Linear Rate Raised Height (45mm Lift) 50-110 KG Accessories (With Heavy Bull Bar and Winch)</p> <p>Linear Rate Super Raised Height (60mm Lift) Up to 50KG Accessories Recommended (Longer Travel Shock Absorber Required)</p>			2	C59-290 (Pair)
			2	C59-288 (Pair)
			2	C59-206 (Pair)
			2	C59-244 (Pair)
<p>SHOCK ABSORBER</p> <p>Heavy Duty Gas (Not Long Travel)</p> <p>Heavy Duty Gas (Long Travel) Can only be used with C59-244</p> <p>Type 'A' 'B' 'C'</p>	C	2		GS59-632
	C	2		GS59-634
<p>STEERING DAMPER</p> <p>Type 'A'</p> <p>Heavy Duty Complete With Fittings</p>	A	1		SD59-024
<p>UNDER BODY BUSH KIT</p> <p>Polyurethane Bush</p> <p>NOTE: See Rear Under Body Bush Kit</p>				
<p>CASTOR KIT</p> <p>Front Radius Arm Castor Kit (±2°)</p> <p>4 x Polyurethane Bushes 4 x Eccentric Bushes (+1 Grease Tube)</p> <p>Raising vehicle will affect castor angle. A wheel alignment is recommended to determine if a castor kit is required.</p>			- 1	SPF1721K

REAR		TYPE	QTY	PART NUMBER
<p>COIL SPRING Type 'C'</p> <p>Linear Rate Standard Height</p> <p>Linear Rate Raised Height (45mm Lift) Light Load to GVM</p> <p>Linear Rate Super Raised Height (65mm Lift) Medium Load to GVM Longer Travel Shock Absorber Required</p>			2	C59-291 (Pair)
			2	C59-289 (Pair)
			2	C59-247 (Pair)
<p>SHOCK ABSORBER</p> <p>Type 'A' 'B' 'C'</p> <p>Heavy Duty Gas (Not Long Travel)</p> <p>Heavy Duty Gas (Long Travel) Can only be used with C59-247</p>	C	2		GS59-631
	C	2		GS59-633
<p>UNDER BODY BUSH KIT</p> <p>Polyurethane Bush</p> <p>NOTE: Kit Contains Front & Rear Under Body Bushes Only</p> <p>2 x Front Radius Rod to Chassis Bush 4 x Front Radius Rod to Diff Bush 2 x Front Panhard Rod Bush 2 x Rear Radius Rod to Chassis Bush 4 x Rear Radius Rod to Diff Bush 2 x Rear Panhard Rod Bush</p>			- 1	PB59-1260K

MAKE: TOYOTA

TYPE: LandCruiser 90 Series
(Prado)

MODEL: RZJ/VZJ/KZJ/KDJ 90 S.W.B. **YEAR:** 1996 to
RZJ/VZJ/KZJ/KDJ 95 L.W.B. 2003

DETAIL: Station Wagon



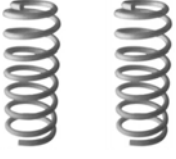

TOY-72

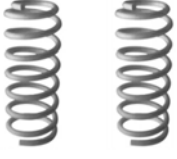

FRONT		TYPE	QTY	PART NUMBER
<p>COIL SPRING Type 'C'</p>				
SWB	RZJ90 VZJ90 KZJ90	2.7L Petrol 3.4L V6 3.0L T/Diesel		
	Linear Rate Raised Height (35mm Lift) Up to 60Kg Accessories		2	C59-276 (Pair)
	Linear Rate Raised Height (35mm Lift) 60-90Kg Accessories		2	C59-134 (Pair)
KDJ90	3.0L T/Diesel			
	Linear Rate Raised Height (40mm Lift)		2	C59-134 (Pair)
	Linear Rate Raised Height (40mm Lift) 60-90Kg Accessories		2	C59-296 (Pair)
LWB	RZJ95 VZJ95	2.7L Petrol 3.4L V6		
	Linear Rate Standard Height		2	C59-274 (Pair)
	Linear Rate Raised Height (35mm Lift) Up to 60Kg Accessories		2	C59-276 (Pair)
	Linear Rate Raised Height (35mm Lift) Up to 90Kg Accessories		2	C59-134 (Pair)
KZJ95	3.0L T/Diesel			
	Linear Rate Raised Height (35mm Lift) No Accessories		2	C59-296 (Pair)
	Linear Rate Raised Height (35mm Lift) 60-90Kg Accessories		2	C59-300 (Pair)
<p>SHOCK ABSORBER</p>				
	Heavy Duty Gas Complete with Spring Seat		B 2	GS59-222

REAR		TYPE	QTY	PART NUMBER
<p>COIL SPRING Type 'C'</p>				
	Linear Rate Standard Height		2	C59-133 (Pair)
	Linear Rate Raised Height (35mm Lift) Medium Load to GVM Recommended		2	C59-131 (Pair)
	Variable Rate Extra Heavy Duty Raised Height (40mm Lift) 100Kg to GVM		2	C59-137V (Pair)
	Variable Rate Extra Extra Heavy Duty Raised Height (40mm Lift) 150Kg to GVM For Rally Use Only		2	C59-297V (Pair)
	Linear Rate Extra Extra Extra Heavy Duty Raised Height 300Kg to GVM		2	C59-303 (Pair)
<p>SHOCK ABSORBER</p>				
	Heavy Duty Gas	B	2	GS59-223
	Heavy Duty Gas (Big Bore)	B	2	GS59-225
<p>UNDER BODY BUSH KIT</p>				
<p>NOTE:</p> <p>Kit Contains Rear Under Body Bushes</p> <p>2 x Rear Panhard Rod Bush 4 x Rear Lower Trailing Arm Bush 4 x Rear Upper Trailing Arm Bush</p>		B	1	PB59-1256K

MAKE: TOYOTA **TYPE:** LandCruiser 120 Series
 (Prado)
MODEL: RZJ / VZJ / KZJ / KDJ 125 **YEAR:** 2003 on
 RZJ / VZJ / GRJ / KZJ / KDJ 120, VZJ / KDJ 121
DETAIL: Station Wagon
 SWB & LWB **TOY-82**



FRONT		TYPE	QTY	PART NUMBER
 COIL SPRING Type 'C'				
SWB	RZJ125	2.7L Petrol		
	VZJ125	3.4L V6		
	KZJ125	3.0L T/Diesel		
	Linear Rate Raised Height (45mm Lift) Up to 60Kg Accessories		2	C59-296 (Pair)
SWB	KDJ125	3.0L T/Diesel		
	Linear Rate Raised Height (35mm Lift) Up to 60Kg Accessories		2	C59-300 (Pair)
	Linear Rate Raised Height (35mm Lift) 60-100Kg Accessories		2	C59-302 (Pair)
LWB	RZJ120	2.7L Petrol		
	Linear Rate Raised Height (45mm Lift)		2	C59-296 (Pair)
LWB	VZJ120/121	3.4L V6		
	Linear Rate Raised Height (45mm Lift)		2	C59-300 (Pair)
LWB	GRJ120	4.0L V6		
	KDJ120/121	3.0L T/Diesel		
	Linear Rate Lowered Height		2	C59-274 (Pair)
	Linear Rate Standard Height		2	C59-134 (Pair)
	Linear Rate Raised Height (35mm Lift)		2	C59-300 (pair)
	Linear Rate Raised Height (35mm Lift) 60-100Kg Accessories		2	C59-302 (Pair)
LWB	KZJ120	3.0L T/Diesel		
	Linear Rate Raised Height (40mm Lift)		2	C59-302 (Pair)
	Linear Rate Raised Height (45mm Lift) 80-150Kg Accessories		2	C59-314 (Pair)
SHOCK ABSORBER  Type 'A' 'B' 'C' Heavy Duty Gas Complete with Spring Seat				
			B	2 GS59-221

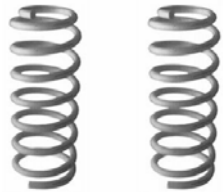
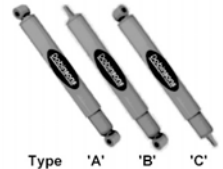
REAR		TYPE	QTY	PART NUMBER
 COIL SPRING Type 'C'				
SWB		Linear Rate Raised Height (40mm Lift) Up to 60Kg Accessories	2	C59-325 (Pair)
		Linear Rate Raised Height (40mm Lift) 60-100Kg Accessories	2	C59-327 (Pair)
LWB		Variable Rate Lowered Height	2	C59-321V (Pair)
		Linear Rate Standard Height	2	C59-325 (Pair)
		Linear Rate Raised Height (40mm Lift) Up to 60Kg Accessories	2	C59-327 (Pair)
		Linear Rate Raised Height (45mm Lift) 100-300Kg Accessories	2	C59-329 (Pair)
		Linear Rate Raised Height (45mm Lift) 400Kg Accessories	2	C59-331 (Pair)
SHOCK ABSORBER  Type 'A' 'B' 'C' Heavy Duty Gas				
			B	2 GS59-637


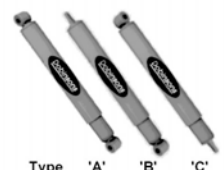
MAKE: TOYOTA **TYPE:** Fortuner

MODEL: KUN/TGN 51 **YEAR:** 2005 on

DETAIL: 2.7L Petrol TGN51
3.0L Diesel KUN51

TOY-85

FRONT	TYPE	QTY	PART NUMBER
COIL SPRING			
			
<p>** NOTE: Vehicles fitted with this Spring Part Number, MUST be fitted With GS59-220 shock absorber</p>			
2.7L Petrol			
Linear Rate Standard Height		2	C59-134 (Pair)
Linear Rate Raised Height (** 50m Lift)		2	C59-300 (Pair)
Linear Rate Raised Height (** 50m Lift) 50-100kg Accessories		2	C59-302 (Pair)
3.0L Diesel			
Linear Rate Standard Height		2	C59-296 (Pair)
Linear Rate Raised Height (** 50m Lift)		2	C59-300 (Pair)
Linear Rate Raised Height (** 40m Lift) 50-100kg Accessories		2	C59-302 (Pair)
<hr/>			
SHOCK ABSORBER			
			
Type 'A' 'B' 'C'			
Heavy Duty Gas	B	2	GS59-220

REAR	TYPE	QTY	PART NUMBER
COIL SPRING			
			
Linear Rate Standard Height		2	C59-353 (Pair)
Linear Rate Raised Height		2	C59-355 (Pair)
<hr/>			
SHOCK ABSORBER			
			
Type 'A' 'B' 'C'			
Heavy Duty Gas	A	2	GS59-637

MAKE: TOYOTA **TYPE:** Landcruiser
MODEL: SWB FZJ71 / HZJ71 **YEAR:** 1999 on
 MWB FZJ74 / HZJ74
 LWB FZJ76 / HZJ76
DETAIL: TOY-87

FRONT	TYPE	QTY	PART NUMBER
COIL SPRING Type 'C' <p>Linear Rate Standard Height</p> <p>Linear Rate Raised Height (50mm Lift) Comfort Option Up to 50Kg Accessories</p> <p>Linear Rate Raised Height (50mm Lift) Up to 50Kg Accessories</p> <p>Linear Rate Super Heavy Duty Raised Height (50mm Lift) 50-100 Kg Accessories</p>		2	C59-250 (Pair)
		2	C59-246 (Pair)
		2	C59-248 (Pair)
		2	C59-252 (Pair)
SHOCK ABSORBER <p>Heavy Duty Gas</p> <p>Type 'A' 'B' 'E'</p>		2	GS45-114
STEERING DAMPER <p>Type 'A'</p> <p>Heavy Duty Complete with Fittings</p>	A	1	SD59-824
UNDER BODY BUSH KIT <p>Polyurethane Bush</p> <p>NOTE: Kit Contains Rear Under Body Bushes</p> <p>2 x Front Panhard Rod Bush 4 x Front Leading Arm to Diff Bush 4 x Front Leading Arm to Chassis Bush</p>		-	1 PB59-1261K
CASTOR KIT Front Radius Arm Castor Kit ($\pm 2^\circ$) 4 x Polyurethane Bushes 4 x Eccentric Bushes (+1 Grease Tube) Raising vehicle will affect castor angle. A wheel alignment is recommended to determine if a castor kit is required.		-	1 SPF1721K

REAR	TYPE	QTY	PART NUMBER
LEAF SPRING Type 'A' <p>FZJ/HZJ71 SWB</p> <p>Raised Height (50mm Lift)</p> <p>FZJ/HZJ74 MWB FZJ/HZJ76 LWB</p> <p>Raised Height (50mm Lift)</p>	A	1	L59-071-R LH
	A	1	L59-071-R RH
	A	1	L59-074-R LH
	A	1	L59-074-R RH
SHACKLE BUSH KIT Rubber Polyurethane Metal <p>Kit Contains: 4 - SPF1781 2 - SPF1782 4 - SPF1798</p> <p>'A' Type 'B' 'C'</p>		2	PB59-1090K
U-BOLT KIT <p>Type 'A' 'B' 'C'</p> <p>Kit Contains: 2 x UB59-453-3</p>	B	2	UB59-453-3K
SHOCK ABSORBER <p>Type 'A' 'B' 'D'</p> <p>Heavy Duty Gas</p>		2	GS59-650
SHACKLE KIT <p>'A' 'B' Type 'C' 'D'</p> <p>Greasable: Fit in Pairs</p>		2	SK59-051
PIN KIT <p>Type 'A' 'B' 'C'</p> <p>Greasable: Fit in Pairs</p>		2	SP59-044



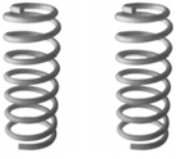

MAKE: TOYOTA **TYPE:** Rav 4



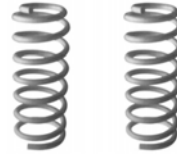

MODEL: SXA10, SXA11 **YEAR:** 1993 - 05/2000
 ACA 20, 21, 22, 23 05/2000 on

DETAIL: 3 Doors & 5 Doors



TOY-71

 FRONT 		TYPE	QTY	PART NUMBER
<p>COIL SPRING Type 'C'</p> 				
<p>1993 to 05/2000 SXA10 – 3 Door SXA11 – 5 Door</p> <p style="text-align: right;">Linear Rate Raised Height (35mm Lift)</p>			2	C59-088 (Pair)
<p>05/2000 on ACA20 2.0L 3 Door ACA21 2.0L 5 Door ACA22R 2.4L 3 Door ACA23R 2.4L 5 Door</p> <p style="text-align: right;">Linear Rate Raised Height (45mm Lift)</p>			2	C59-088 (Pairs)
<p>05/2000 on (Diesel)</p> <p style="text-align: right;">Linear Rate Raised Height</p>			2	C59-364 (Pairs)
<hr/>				
<p>SHOCK ABSORBER</p>  <p>Type 'A' 'B' 'E'</p>				
<p style="text-align: right;">Heavy Duty Gas Complete with Spring Seat</p>		B	1	GS59-927 RH
		B	1	GS59-927 LH

 REAR 		TYPE	QTY	PART NUMBER
<p>COIL SPRING Type 'C'</p> 				
<p>1993 to 05/2000 SXA10 - 3 Doors</p> <p style="text-align: right;">Linear Rate Raised Height (35mm Lift)</p>			2	C19-016 (Pair)
<p>SXA11 - 5 Doors</p> <p style="text-align: right;">Linear Rate Raised Height (35mm Lift)</p>			2	C19-022 (Pair)
<p>05/2000 on ACA20 2.0L 3 Door ACA21 2.0L 5 Door ACA22R 2.4L 3 Door ACA23R 2.4L 5 Door</p> <p style="text-align: right;">Linear Rate Raised Height (45mm Lift)</p>			2	C59-091 (Pairs)
<hr/>				
<p>SHOCK ABSORBER</p>  <p>Type 'A' 'B' 'C'</p>				
<p style="text-align: right;">Heavy Duty Gas</p>		B	2	GS59-940