

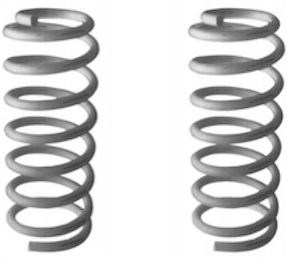



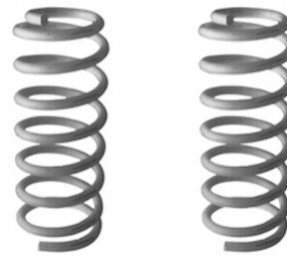
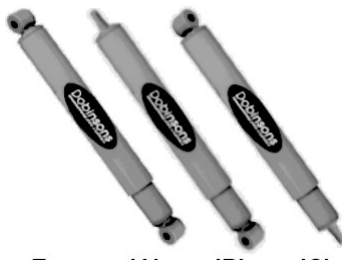


MAKE: MERCEDES **TYPE:**
MODEL: G55 **YEAR:** 2005 on
DETAIL: 4 Door Station Wagon



MER-50

 FRONT 		TYPE	QTY	PART NUMBER
<p>COIL SPRING Type 'C'</p>  <p>Linear Rate Raised Height (45mm Lift)</p>			2	C41-060 (pair)
<p>SHOCK ABSORBER</p>  <p>Type 'A' 'B' 'C'</p> <p>Heavy Duty Gas</p>		C	2	GS51-117S

 REAR 		TYPE	QTY	PART NUMBER
<p>COIL SPRING Type 'C'</p>  <p>Linear Rate Raised Height (45mm Lift)</p>			2	C43-045V (pair)
<p>SHOCK ABSORBER</p>  <p>Type 'A' 'B' 'C'</p> <p>Heavy Duty Gas</p>		B	2	GS43-784D